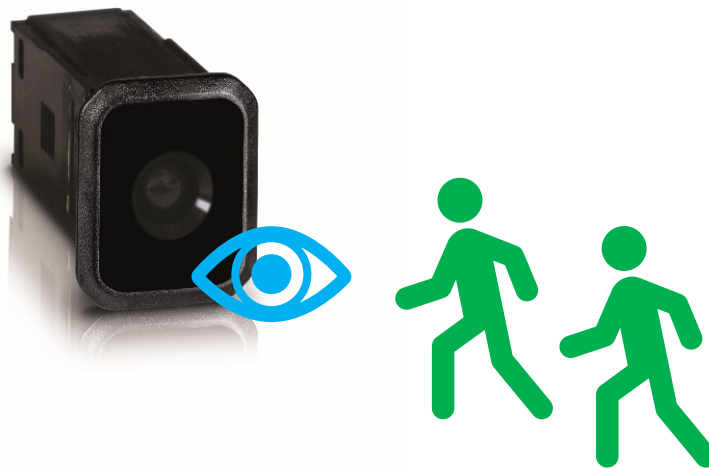


X-MOD motion detector

Proximity sensor for refrigerated applications

PN14/18 SEPTEMBER



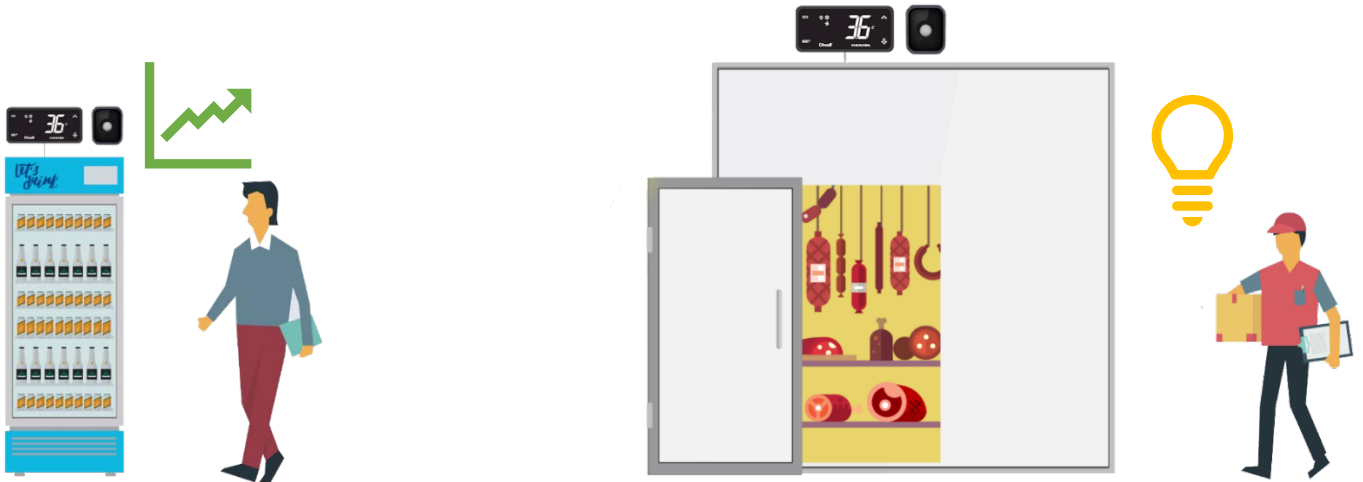
Dear Customer,

Dixell introduces the new motion sensor for XR and XRB controllers. X-MOD is well suited for bottle coolers or for cold rooms as it allows, for example, to automatically switch on the lights or to count the presences for the sales performance indication.

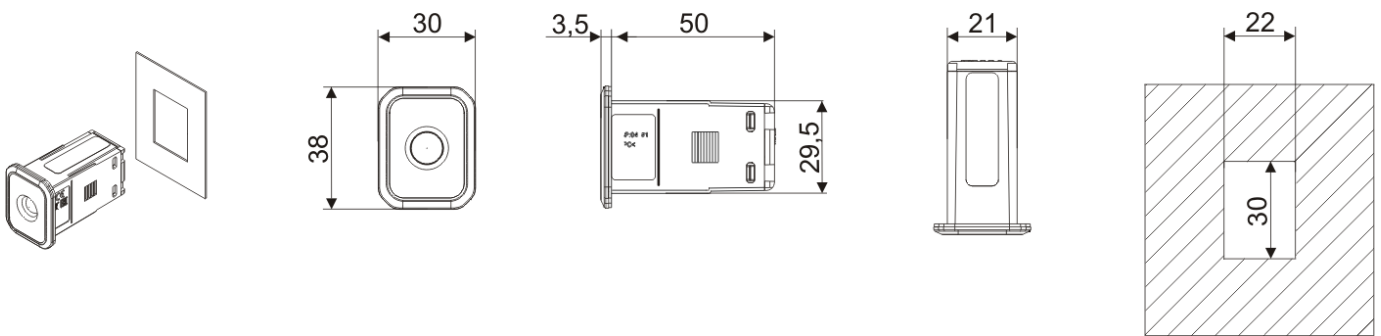
The sensor is available even in sealing version which ensures an improved level of robustness and of insulation and makes it suitable also in environment with a high level of humidity and condensing.

1. Main applications

The X-MOD allows to detect the proximity of customers or service staff and, for example, to automatically switch the lights on of bottle coolers or cold rooms. There is even the possibility to count the transitions in order to make an after-sales analysis and to study the best coolers positioning inside the store.



2. Dimensions and cut out



3. Accessories

X-MOD has to be connected to Dixell controllers through the dedicated cable (included in the package) via Hot-Key output.



4. How to order

X - M O D - **A B** 0 0 0 0

A		B	
Power supply		Sealing	
A	3,3Vdc (only for CHC versions)	0	No
B	5Vdc	1	Yes

5. Prices

Please contact our sales department for prices and further information.

6. Availability and orders

Please contact our sales department for delivery time and compatibility with Dixell products.